

Cylinder/Pipe THERMOSTAT for Model No. CT100

Thank you for purchasing this Salus product - if installing for someone else, please ensure that the instructions are handed to the householder.

Warning - Please read this manual prior to installation or use.

Shock Hazard ⚡

This unit must be installed by a competent person, in accordance with BS 7671 (the IEE Wiring Regulations), or other relevant national regulations and codes of good practise.

Always isolate the AC Mains supply before removing the unit from the Industry Standard Back Plate.

The CT100 is a practical surface mounted mechanical thermostat.

This thermostat will allow the user to control the temperature of Domestic Hot Water Cylinders (uninsulated and foam lagged).

This unit comes complete with a wire strap which enables the CT100 to be used also as a pipe thermostat.

This unit can be used to switch a circulating pump, boiler or most common motorised zone valves.

Specification

Voltage Rating	: 230 AC 50Hz
Switch Rating	: 16A resistive : 4A inductive
Switch Type	: Single pole, double throw (SPDT)
Temperature Setting Range	: 40 to 80°C
Ambient Temperature	: 0 to 55°C
Agency Approval	: CE



Sales +44 (0) 8700 766900

Technical +44 (0) 8700 766902

Customer Services +44 (0) 8700 766902

Salus Controls plc
Enterprise Park, Bala
Gwynedd, LL23 7NL
Regional offices, England & Scotland.

Web: www.salus-tech.com
Email: sales@salus-tech.com

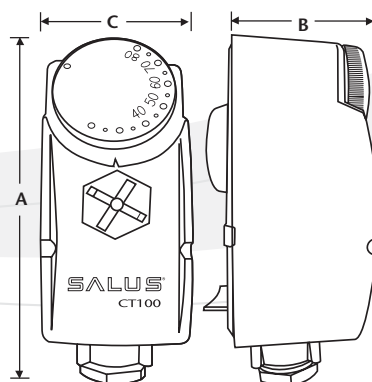
Maintaining a policy of continual product development Salus Controls plc. reserve the right to change specification, design and materials of products listed in this brochure without prior notice.

Manual Issue No. IM-CT100-001

Setting The Temperature

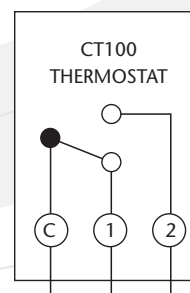
Once the CT100 has been situated in the correct location and connected, simply turn the dial to the desired setting making sure the temperature required lines up with the arrow on the main body of the CT100. Fixings for both Cylinder/Pipe Thermostat are included within the box.

Dimension (mm)



A	B	C
105	50	45

Wiring Diagram



Terminals C and 2 make on temperature rise.

Terminals C and 1 make on temperature fall.

Internal Diagram

